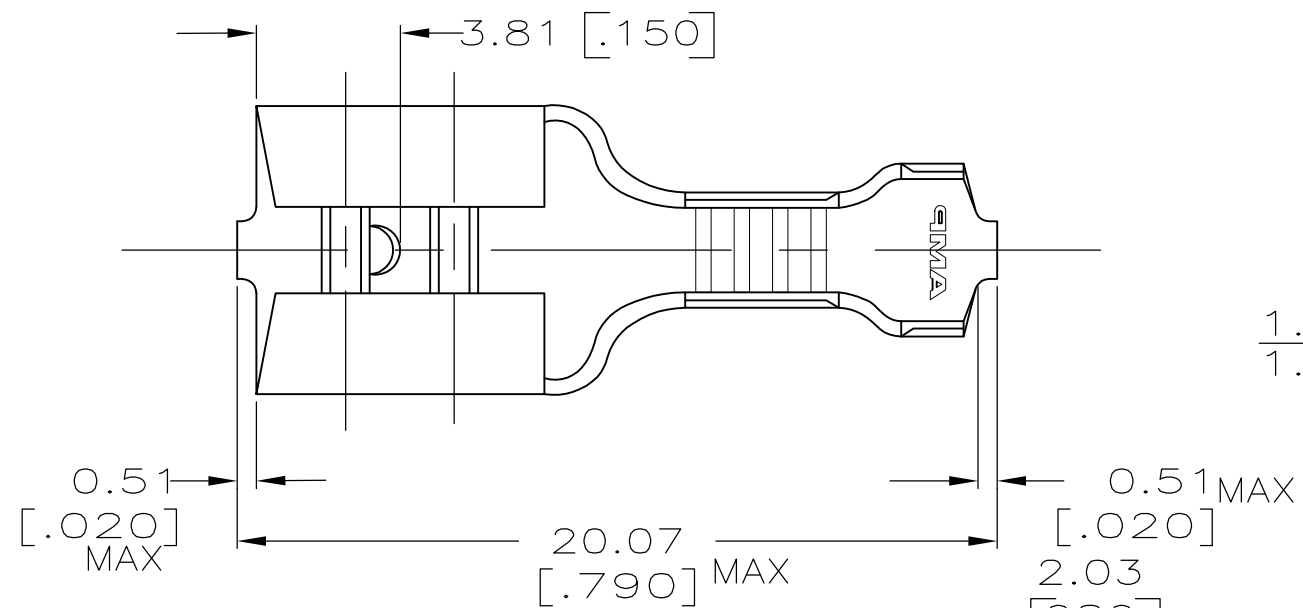
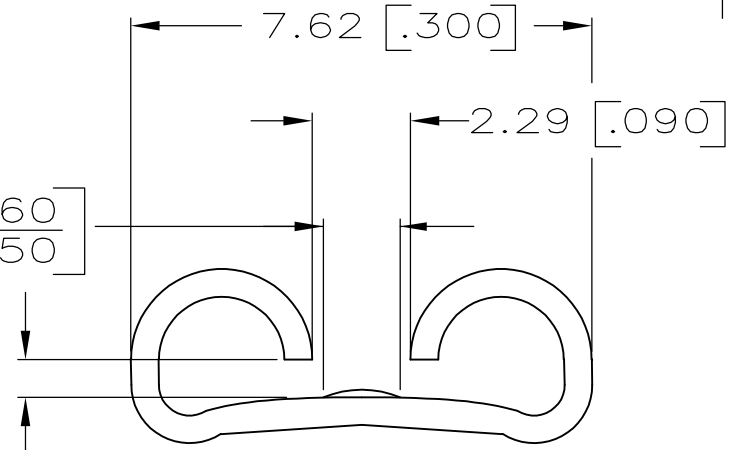


THIS DRAWING IS UNPUBLISHED. RELEASED FOR PUBLICATION
 © COPYRIGHT - By - ALL RIGHTS RESERVED.

LOC	DIST	REVISIONS					
AF	50	P	LTR	DESCRIPTION	DATE	DWN	APVD
		R		REVISED PER ECR-12-013459	28NOV2012	KH	PD



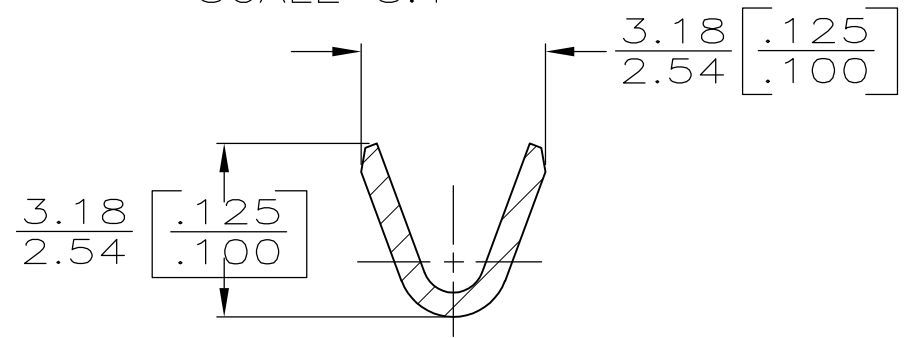
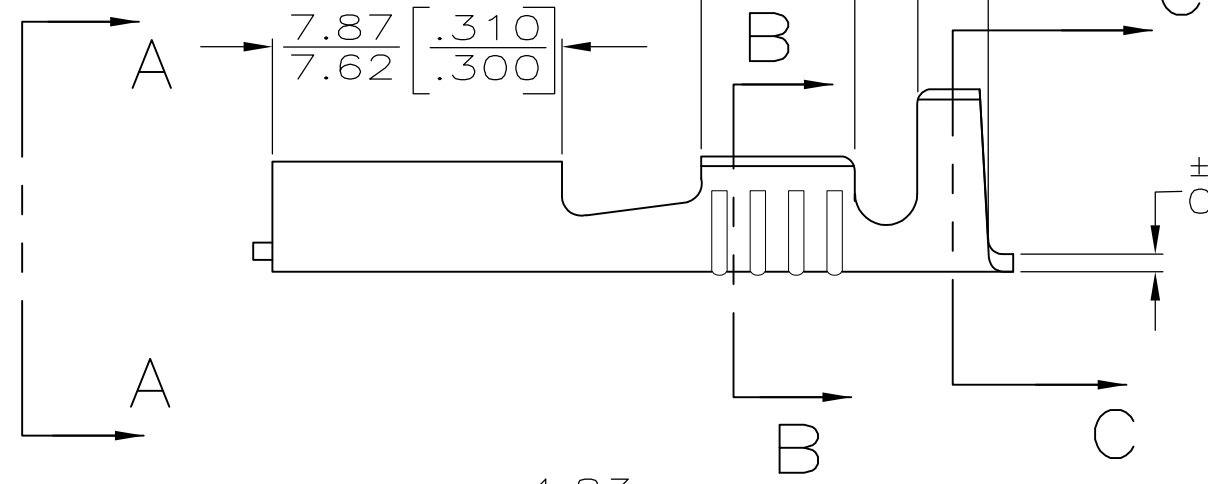
$\frac{1.52}{1.27}$ $\frac{.060}{.050}$



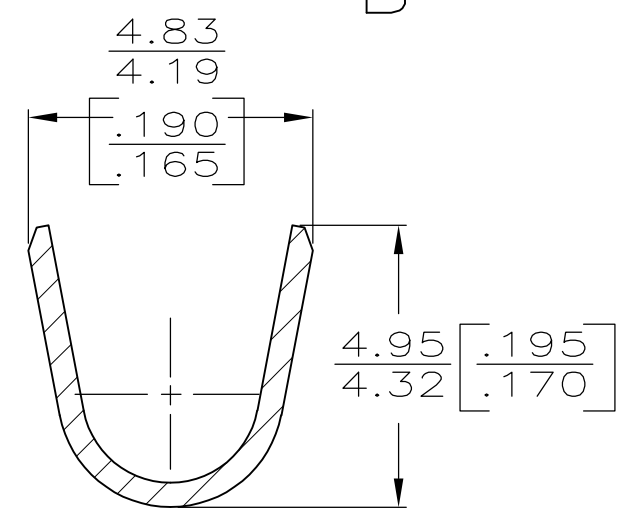
FITS .250 SERIES FASTON TAB

VIEW A-A
SCALE 8:1

1 SUPPLIED IN LOOSE PIECE



SECTION B-B
SCALE 8:1



SECTION C-C
SCALE 8:1

41772	2.29-3.30 [.090-.130]	0.3-0.8mm ² [22-18]	±0.025 ±.001 0.81 [.032]	60878-2
STRIP FORM	INSUL RANGE	WIRE SIZE	MATING TAB THK	PART NO
THIS DRAWING IS A CONTROLLED DOCUMENT.		DWN JR RUTH 3/2/93	TE Connectivity RECEPTACLE, FASTON, TM .250 SERIES	
DIMENSIONS: mm [INCHES]		CHK MS FEHER 3/2/93		
TOLERANCES UNLESS OTHERWISE SPECIFIED:		APVD C MEYERS 3/2/93		
0 PLC ± - 1 PLC ± - 2 PLC ± - 3 PLC ± 0.25 [.010] 4 PLC ± - ANGLES ± -		PRODUCT SPEC		
MATERIAL BRASS	FINISH TIN	APPLICATION SPEC	NAME	RESTRICTED TO
		WEIGHT -	SIZE A3	CAGE CODE 00779
		CUSTOMER DRAWING	DRAWING NO C-60878	SCALE 5:1
			SHEET 1 OF 1	REV R